

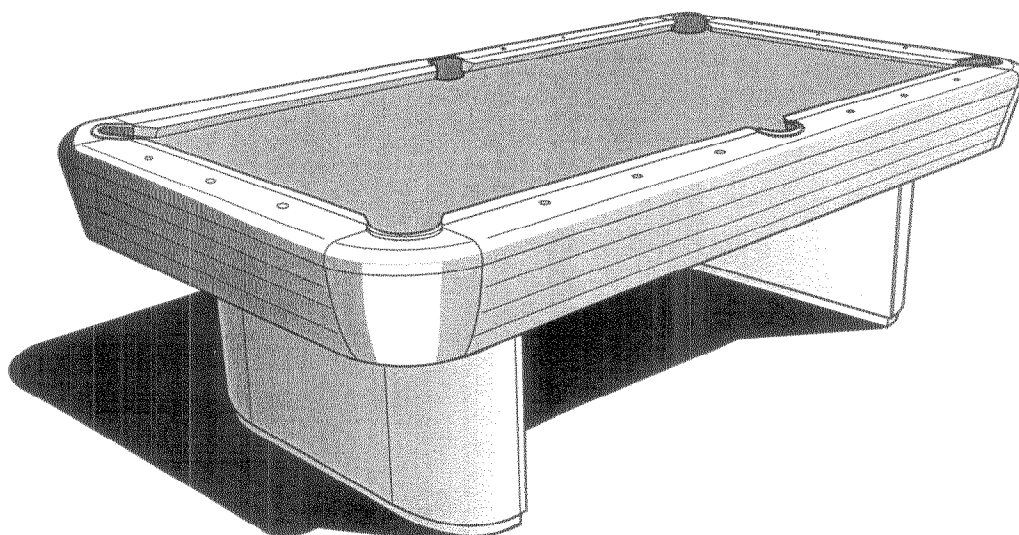
GibsonTM

POCKET BILLIARD TABLE
INSTALLATION MANUAL



www.brunswick-billiards.com
SERVICE DEPARTMENT P.O. BOX 68 BRISTOL, WI 53104

NOTE: Please use the instructions in this manual to assemble the tables shown below. Illustrations may be different depending on the table being assembled. Also note that careful handling of *all* components will assure damage-free assembly.



LEG STRETCHER AND BASEFRAME ASSEMBLY

GIBSON

FIGURE ONE

Step #1: With the legs upright and the clearance holes for the stretchers facing in, attach the stretcher to the legs using 1/4-20 x 1-3/4" hex head cap screws, and 1/4 standard washer.

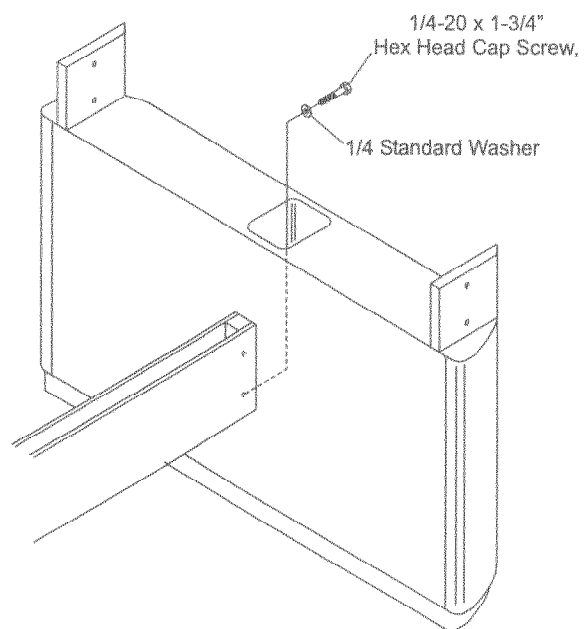


FIGURE ONE



BASEFRAME AND LEG ASSEMBLY

GIBSON

FIGURE ONE

Step #1: Loosely attach the two baseframe side sills "A" to the legs as shown using 3/8-16 x 4" hex head cap screws and 3/8 washers and 3/8-16 hex nuts.

Step #2: Loosely attach the two baseframe end sills "B" to the side sills as shown using 3/8-16 x 3-3/4" hex head cap screws, 3/8 washer and 3/8-16 weld nuts.

Step #3: Install the dovetail cross supports "C" making sure that they are flush with the top of the side sills. Wood can be removed from the bottom of the support or shim stock can be placed in the bottom of the dove tail slot to accomplish this.

Step #4: Securely attach two slate attach cleats "D" to each end sill using 5/16-18 x 5" hex head cap screw.

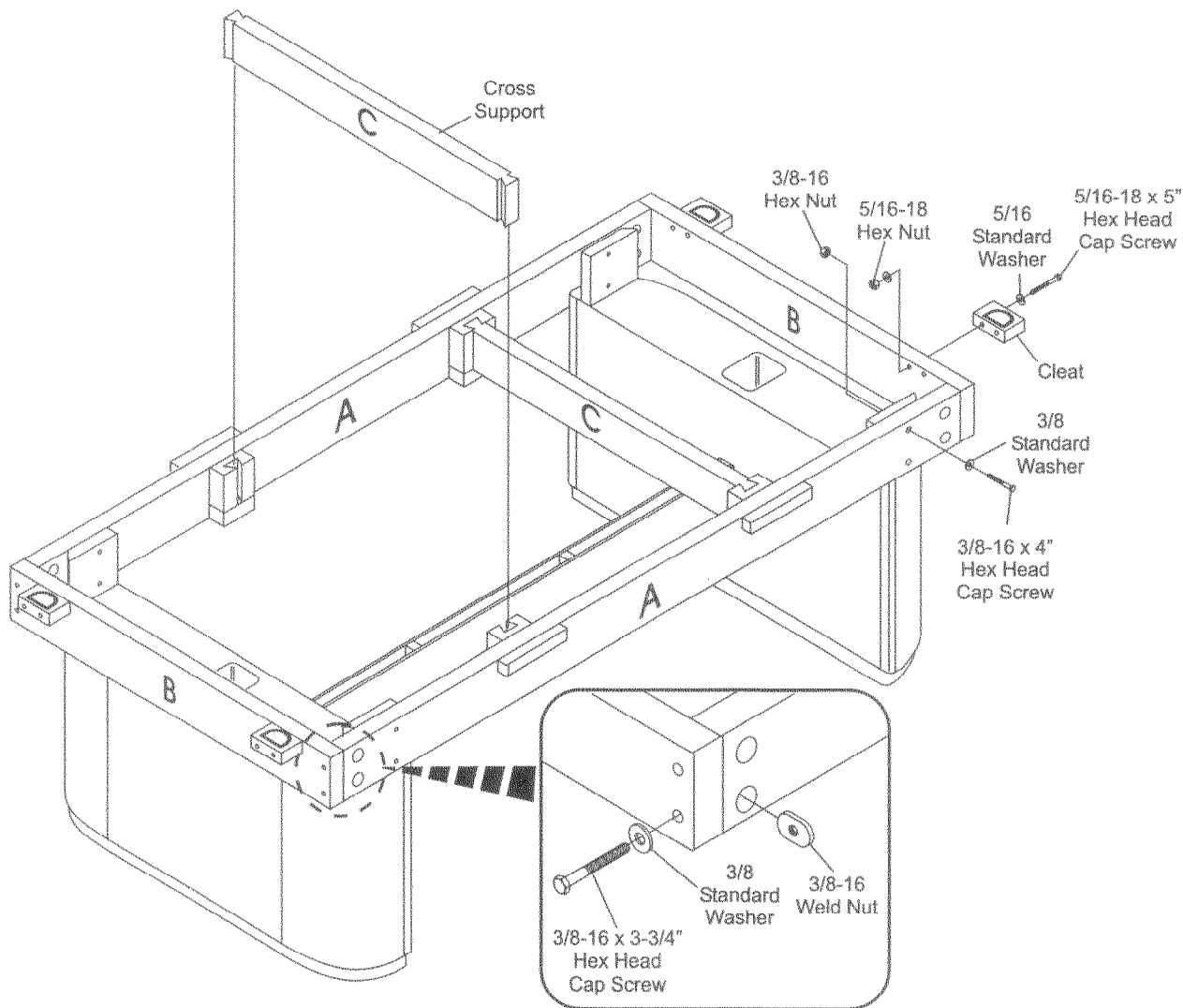


FIGURE ONE



BASEFRAME AND LEG ASSEMBLY (CONTINUED)

GIBSON

FIGURE TWO

Step #4: To achieve adequate playing clearance, position the table in its permanent location so that each side and end of the baseframe is at least 60" from any wall or partition. Square the baseframe by using a carpenter's square or measuring the diagonal corners. The diagonal measurement should not vary over 1/8". With the table square, securely attach all remaining sill and leg hardware.

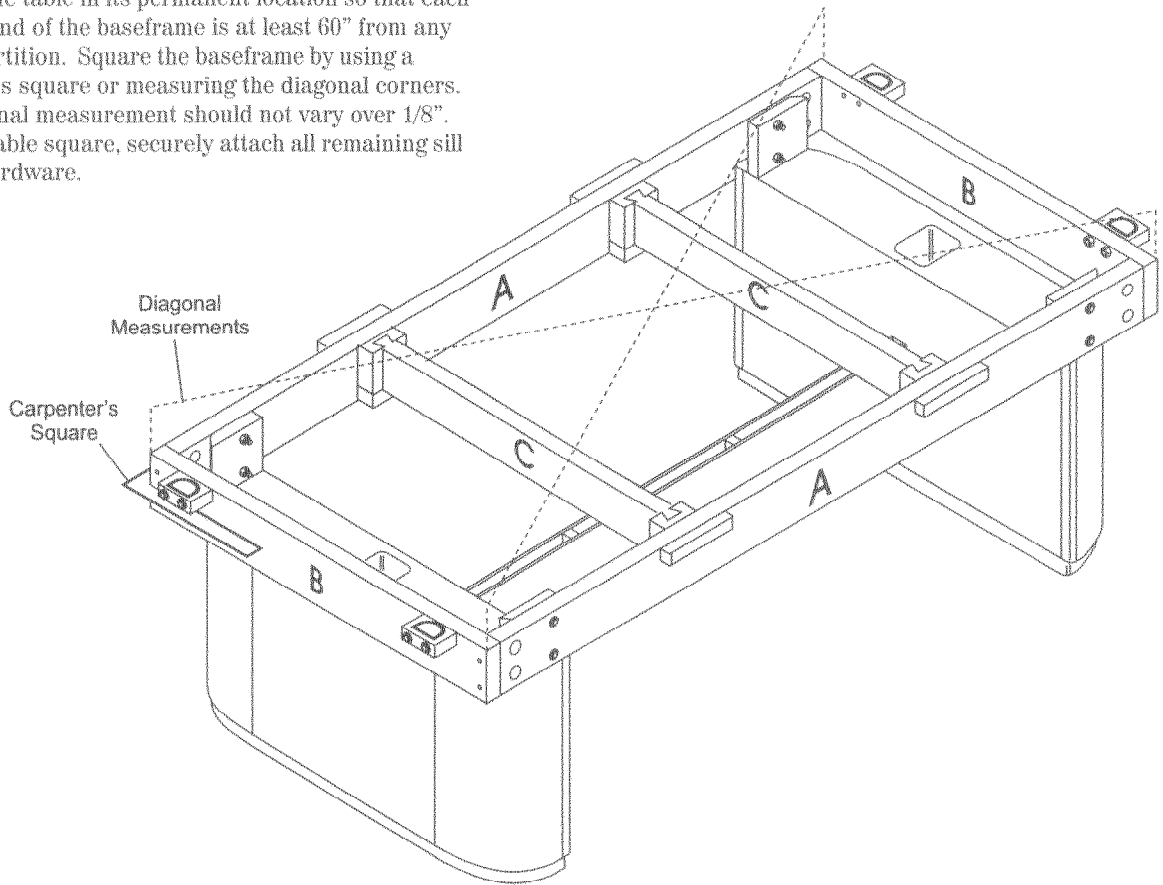


FIGURE TWO



LEVELING BASEFRAME AND ATTACHING SLATE

GIBSON

FIGURE ONE

IMPORTANT: Baseframe must be level before installing slate.

Step #1: With a carpenter's level, locate the highest corner of the baseframe. Level the baseframe by positioning shims (supplied) underneath the other legs as necessary.

Step #2: Be sure the top surfaces are absolutely flush. Add shims or remove wood as necessary to accomplish this.

Step #3: With the baseframe leveled and in its permanent position, place the center section of slate on the table. Be sure it is precisely square with the frame an equal amount of overhang exists on both sides of the table.

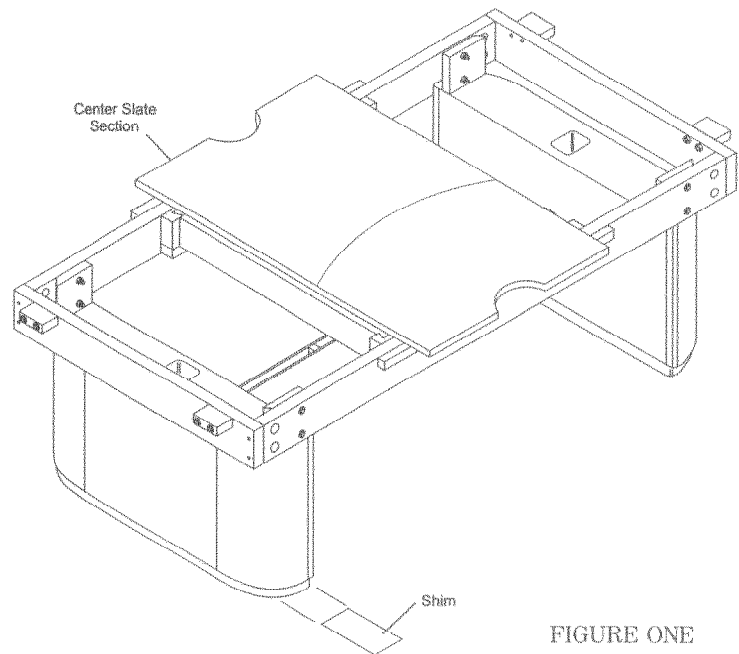


FIGURE ONE

FIGURE TWO

Step #4: Position the two end sections of the slate on the frame as shown.

Step #5: Recheck to be sure the slate has an equal amount of overhang around the baseframe.

Step #6: Using the 12 countersunk holes in the slate as a template, pilot drill $5/32$ " diameter holes into the slate mounting cleats.

Step #7: Securely fasten the end section at both ends of the table with $1/4 \times 3/4$ " flat head screws for unframed slate or $\#14 \times 3$ " for framed slate.

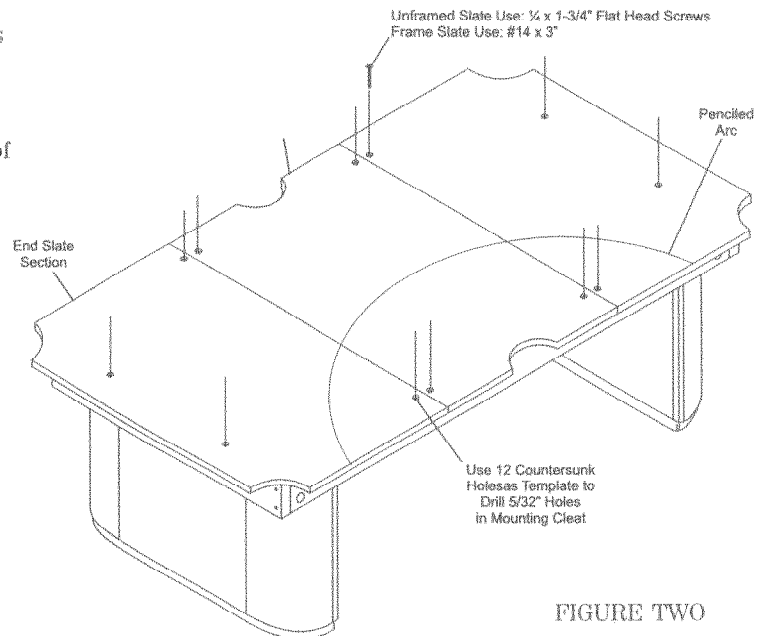


FIGURE TWO



LEVELING BASEFRAME AND ATTACHING SLATE (CONTINUED)

GIBSON

FIGURE THREE

Step #8: With a precise level, level each end slate section by driving a wooden wedge (provided) between the top of the baseframe and the slate as shown. Keep the wedges as close to the slate attach screws as possible.

Step #9: With both end slates perfectly level, continue fastening the end sections at the joints. Recheck for levelness and, if necessary, back the screws out and adjust the shim position. Then retighten the slate attaching screws.

Step #10: When satisfied that both end slate sections are level, shim the center slate section as required to obtain a flush fit at both joints, then screw the center slate down.

Step #11: Slate joints can now be filled with Rock Hard putty or wax. Lightly sand or scrape the joints after filling.

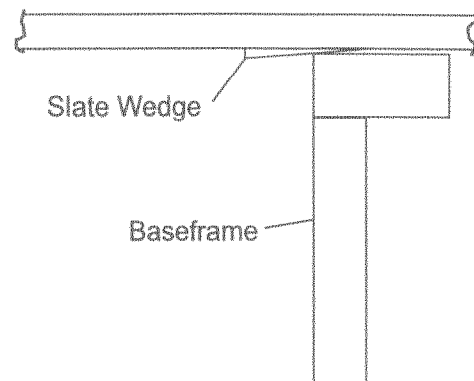


FIGURE THREE

FIGURE FOUR

Step #12: From the end of the bed cloth, cut strips of cloth approximately 1-1/2" wide by 8" long and glue with contact cement to the pocket cut outs.

Step #13: Clean the top of the slate thoroughly with a damp cloth and allow to dry before applying the cloth.

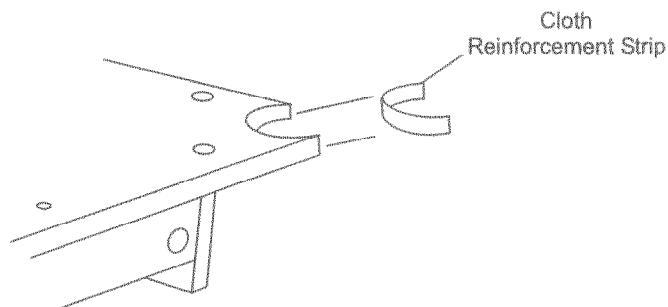


FIGURE FOUR

ATTACHING BED CLOTH

GIBSON

Before attaching bed cloth clean slate thoroughly:

FIGURE ONE

Step #1: Lay the bed cloth over the top of the slate, nap side up. Leave an equal amount of cloth overhang at the end and sides of the slate.

NOTE: In determining the direction of the nap, run your hand lightly over the surface of the cloth. If it meets resistance, it is going against the nap.

Step #2: Adjust cloth to leave only enough cloth overhang at the head end and left side to permit tacking into the wood slate frame. Leave the balance of cloth overhang at the foot end and right side.

NOTE: Do not spread tacks or staples on the bed cloth because it could cut the cloth. Keep them in a container that slides over the cloth.

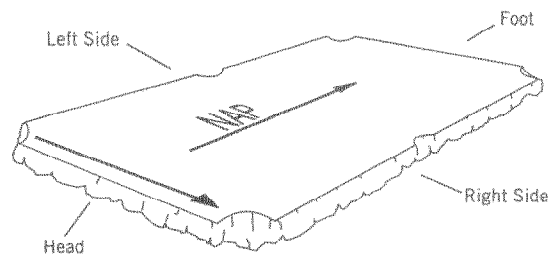


FIGURE ONE

FIGURE TWO

Step #3: Tack or staple the cloth securely to the wood frame at location #1 with two tacks or staples approximately 2" apart.

Step #4: Stretch the cloth across the table and tack or staple securely at location #2 with two tacks or staples 2" apart.

Step #5: Stretch the cloth from location #1 to location #3 and tack or staple securely into the wood frame at the left side of the table.

Step #6: Stretching the cloth across the table from location #3 and pulling from location #2, tack or staple the cloth at location #4.

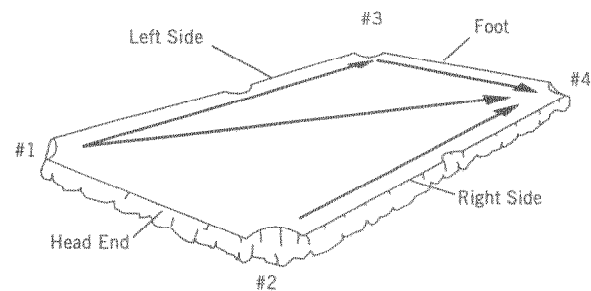


FIGURE TWO

FIGURE THREE

Step #7: On the left side, stretch the cloth tightly from location #1 toward the side pocket opening and tack or staple securely at location #5.

Step #8: Repeat Step 5, stretching the cloth from location #3 and tacking or stapling at location #6.

Step #9: On the right side of the table, grasp the cloth firmly and stretch across the table from location #5 and toward the side pocket from location #2 and tack or staple at location #7.

Step #10: Repeat Step 9, stretching from location #6 and toward the side pocket from location #4 and tack or staple at location #8.

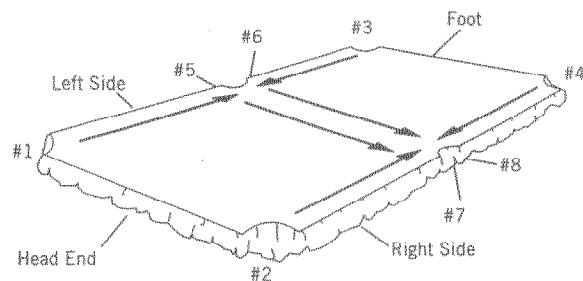


FIGURE THREE



ATTACHING BED CLOTH (CONTINUED)

GIBSON

FIGURE FOUR

Step #11: At location #9, cut a short slit in the cloth at the edge centered on the side pocket opening. Grasp the cloth firmly above this slit, pull the cloth into the side pocket opening and tack or staple to the wood frame. Complete fastening of the cloth to the side pocket opening, making sure the cloth is tacked or stapled to the wood frame.

Step #12: Stretching the cloth tightly across the table from location #9, repeat Step 11 at location #10.

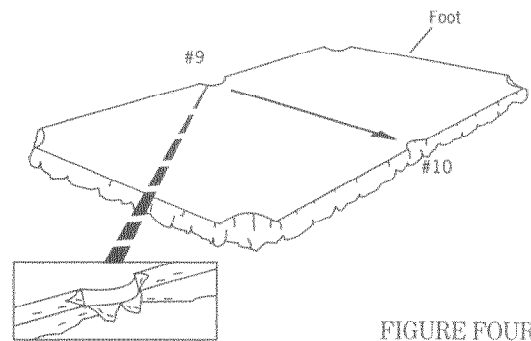


FIGURE FOUR

FIGURE FIVE

Step #13: At the head end of the table, tack or staple the cloth at location #11, maintaining uniform overhang.

Step #14: Pull the cloth from location #11 toward location #12 and tack or staple securely along the wood frame, keeping the cloth even along the head end.

Step #15: Stretch the cloth firmly from location #11 to the foot end of the table and tack or staple at location #13.

Step #16: Stretch the cloth tightly from locations #12 and #13 toward location #14 and tack or staple securely along the wood slate frame.

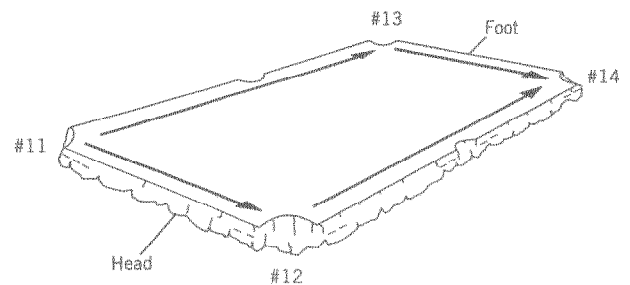


FIGURE FIVE

FIGURE SIX

Step #17: Tack or staple all of the left side on 2" centers keeping the cloth even along the wood frame.

Step #18: Tack or staple the balance of the head end on 2" centers also keeping the cloth even along the wood frame.

Step #19: Stretch the cloth tightly toward the foot end of the table, tacking or stapling on 2" centers along the wood frame at the foot end.

Step #20: Stretch the cloth tightly across the table to the right side, tacking or stapling on 2" centers all the way along the wood frame at the right side.

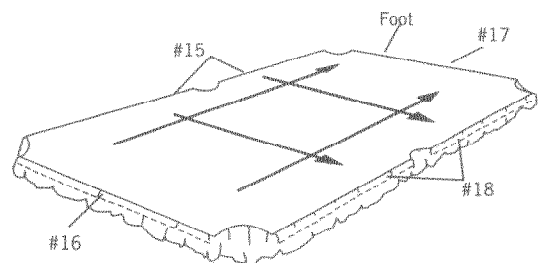


FIGURE SIX

FIGURE SEVEN

Step #21: Stretch the cloth into the corner pocket openings and tack or staple to the wood slate frame.

Step #22: Trim off excess cloth around the perimeter of the slate. Locate the eighteen (18) rail attach holes and cut clearance holes in the cloth with a sharp knife.

NOTE: Occasionally cloth will stretch, leaving wrinkles at the pockets. To retighten, remove apron, one end rail and one side rail. Pull cloth taut, and retack or restaple along the open end and side to restore original tightness.

Cut holes in cloth at rail both locations.

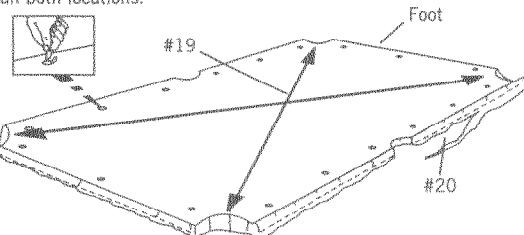


FIGURE SEVEN



ATTACHING RAIL CLOTH

GIBSON

CORNER POCKET FIGURE ONE

Step #1: Place cloth on rail with the back side down. The cloth should have equal amount of overhang at both ends of rail and extend 1/2" over the featherstrip groove on the cushion side as shown.

Step #2: Except for approximately 3" at end of rail, tap featherstrip down with a tapping block and hammer, starting at center of rail. Stretch cloth tightly toward each end of rail and tap featherstrip down.

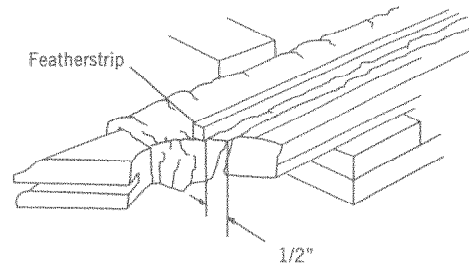


FIGURE ONE

FIGURE TWO

Step #3: At each end of rail, pull the cloth toward the rubber cushion an additional 3/4". Then tap remainder of featherstrip down.

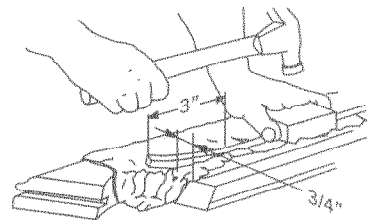


FIGURE TWO

FIGURE THREE

Step #4: Trim the cloth on cushion side of featherstrip along the total length of featherstrip as illustrated.

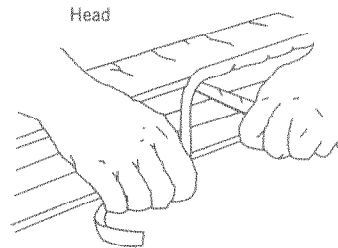


FIGURE THREE

FIGURE FOUR

Step #5: Fold the cloth down over front of rail, then using thumb and forefinger as a guide along front edge of the cushion to keep the tapping block at rear edge of featherstrip, tap the featherstrip down flush with rail surface as shown.

NOTE: Never try to tap a featherstrip flush with just a hammer as you will surely dent the rail surface behind the featherstrip.

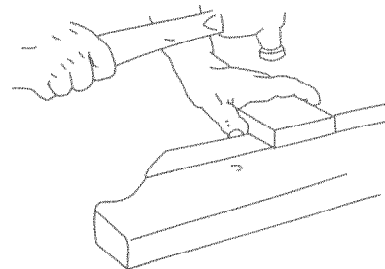


FIGURE FOUR

FIGURE FIVE

Step #6: Turn rail over and at corner pockets fold the cloth over the mitred edge as shown, stretching tightly and working out any wrinkles as you staple three places in area shown.

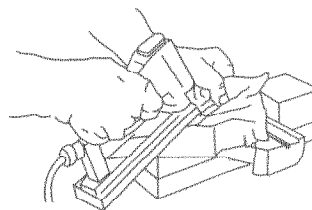


FIGURE FIVE

ATTACHING RAIL CLOTH (CONTINUED)

GIBSON

FIGURE SIX

Step #7: Staple three places along the rear edge of the pocket facing (X in FIGURE SIX), then trim off excess cloth at pocket area.

Step #8: If rail is an end rail, repeat Step 7 at other corner pocket. Then, starting at center of rails, stretch cloth tightly over cushion and staple at bottom of rail working toward each end.

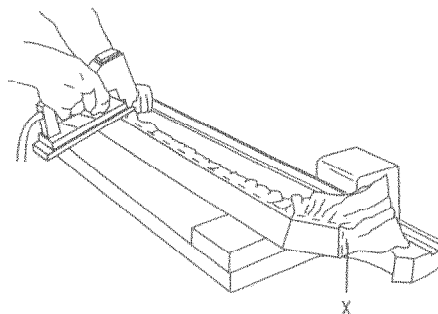


FIGURE SIX

FIGURE SEVEN

Step #9: Trim excess cloth from bottom of rail flush with edge of cloth relief groove.

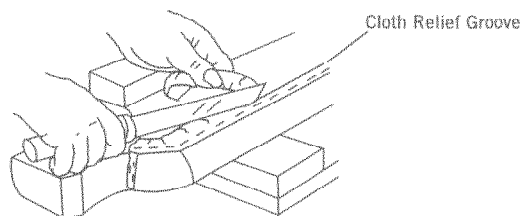


FIGURE SEVEN

SIDE POCKET
FIGURE EIGHT

Step #10: At side pocket, stretch the cloth tightly over nose of cushion and staple three places as shown.

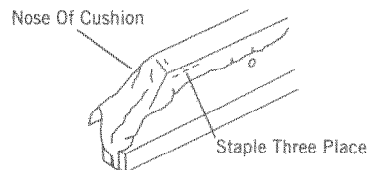


FIGURE EIGHT

FIGURE NINE

Step #11: Slit the cloth up to the edge of cushion nose as shown. Then firmly pull the small strip to the rear of the cushion and staple at rear of facing.

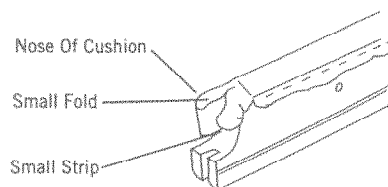


FIGURE NINE

FIGURE TEN

Step #12: Hold the small fold in place with thumb and forefinger and firmly hold it down over facing. Then staple at rear of facing and at bottom of rail as shown.

Step #13: Trim excess cloth as required.

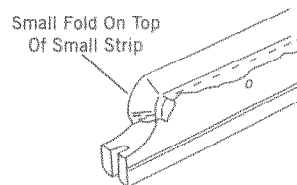


FIGURE TEN



RAIL ASSEMBLY

GIBSON

FIGURE ONE

Step #1: Position rails upside down on a protected surface in their respective locations.

Step #2: Butt the corner carvings to the ends of each side and end rail as shown.

Step #3: Loosely attach the carvings to the rails with 1/4-20 x 2-1/2" hex head cap screw, 1/4 standard washer, and dual threaded weld nut.

Step #4: Square the rail assembly using a carpenter's square as shown and tighten securely.

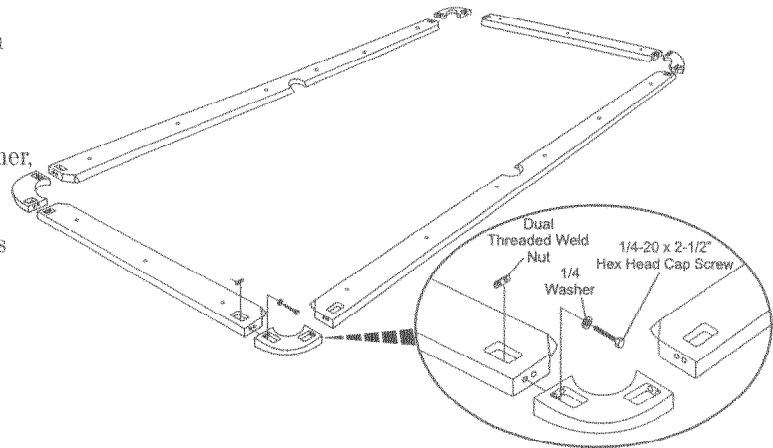


FIGURE ONE

FIGURE TWO

Step #5: Thread a 3/8-16 x 2-3/4" machine stud finger tight into the three locations of each rail as shown.

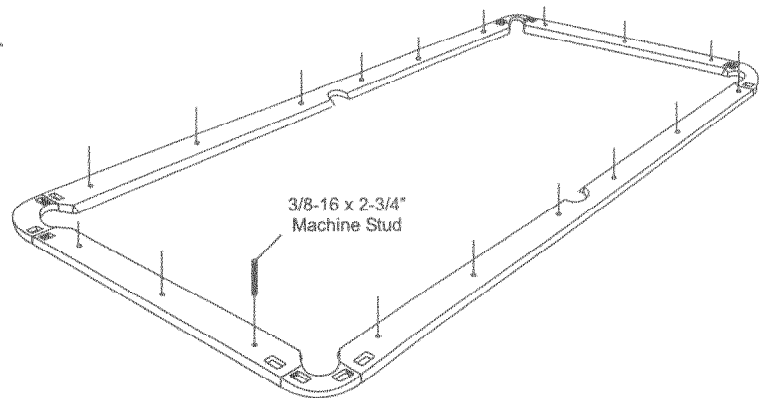


FIGURE TWO



APRON AND CORNER ASSEMBLY

GIBSON

FIGURE ONE

Step #1: Loosely attach the side and end aprons to the bottom side of the rails through the cleat using 1/4-20 x 1-3/4" hex head cap screws and 1/4 standard washers.

Step #2: Attach the apron corners to the aprons using 1/4-20 x 7/8" hex head cap screws and standard 1/4 washers.

Step #3: Assure that the aprons are flush the corners and tighten all hardware securely.

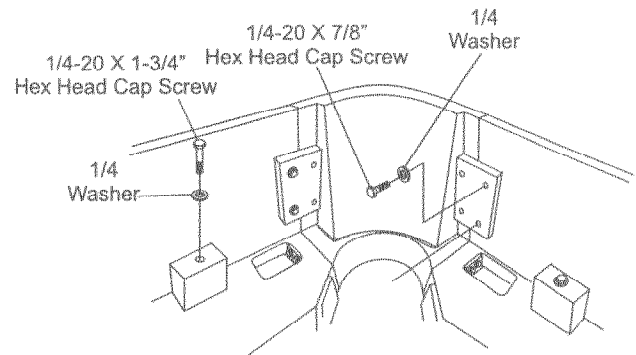


FIGURE ONE



RAIL INSTALLATION

GIBSON

FIGURE 1

Step #1: Carefully turn the rail and apron assembly over and lower over table.

CAUTION: Do not allow the rail assembly to twist or bow while turning it over as the strain may cause the assembly to crack at connections.

Step #2: Align the 18 machine studs with the clearance holes through the slate and lower the assembly onto the slate.

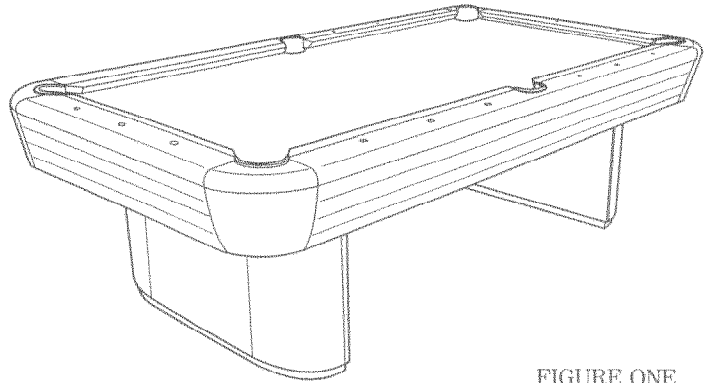


FIGURE ONE

FIGURE TWO

Step #3: Thread the dome washer and 3/8-16 hex nut loosely onto all of the machine studs.

Step #4: Making sure that the rails are all square using a carpenter's square, securely tighten the end rails first then the side rails.

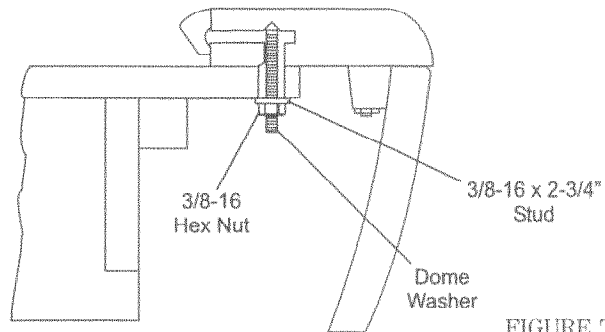


FIGURE TWO

FIGURE THREE

Step #5: Thread the 3/8-16 x 2-3/4" machine stud finger tight into the three locations of each rail as shown.

Step #6: Making sure that the side rails are in a straight line as sighted down the length of the table (cushion side), fasten the side rails securely with remaining nuts and dome washers.

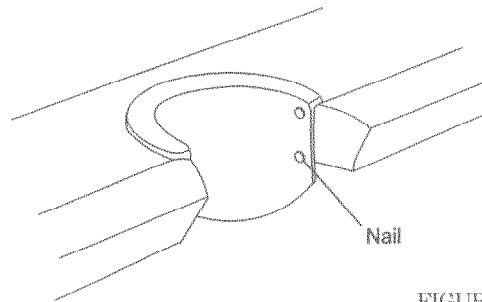


FIGURE THREE

FIGURE FOUR

Step # 7: Position the two side pockets and four corner pockets into their respective openings. Fit and attach using four nails per pocket. Slight trimming may be necessary.

Step #8: thoroughly brush the area on which the bed spot is to be applied. Position the bed spot and firmly roll a ball over the spot to achieve good adhesion.

NOTE: Bed spots are self adhesive.

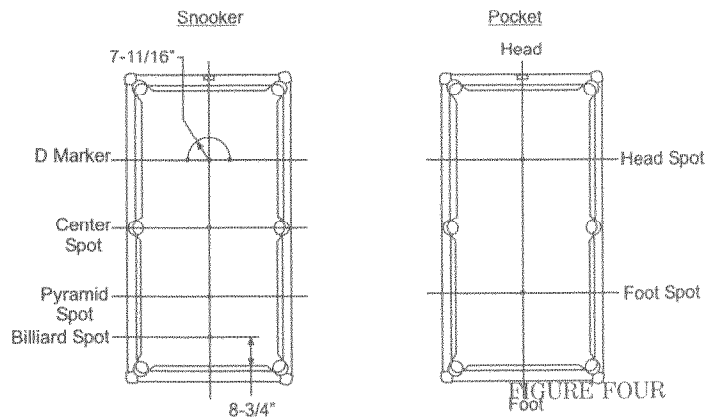


FIGURE FOUR

